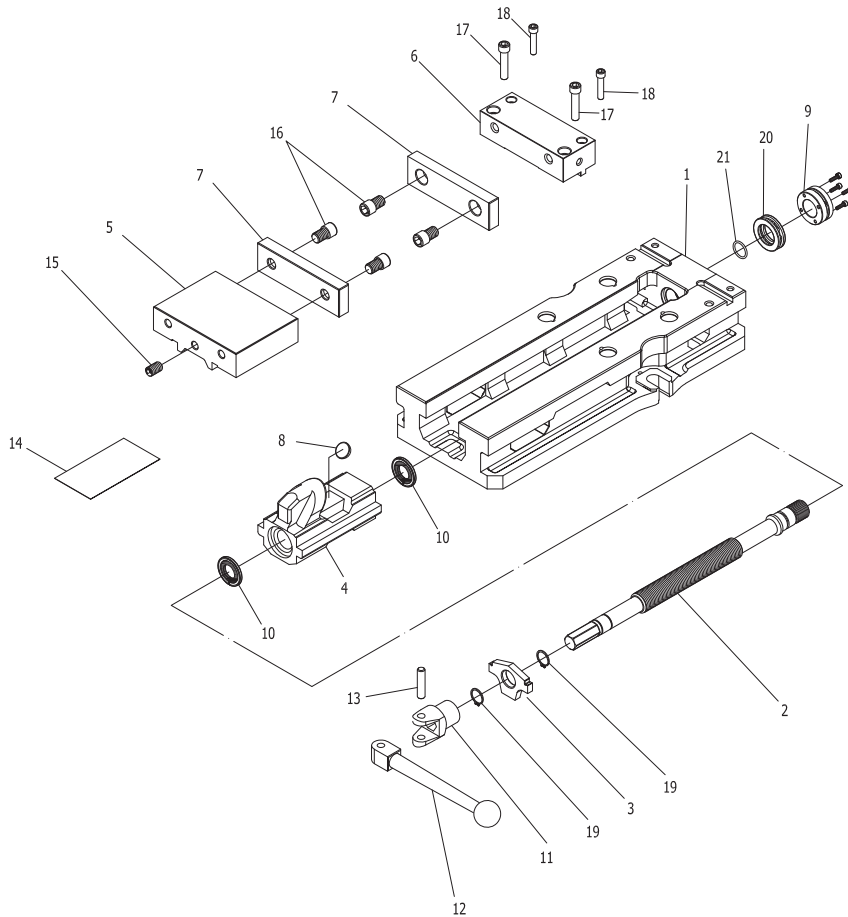


# Tegarano

## 690X 6" Milling Vise



NO	DESCRIPTION	NO	DESCRIPTION
1	Body	12	Handle bar
2	Main screw	13	Pin
3	Spindle case	14	Slide cover
4	Spindle nut	15	Adjustable screw
5	Movable jaw	16	Bolts
6	Fixed jaw	17	Bolts
7	Jaw	18	Bolts
8	Semi-sphere segment	19	C-rings
9	Lock nuts	20	Ball bearing
10	Brush	21	O-ring
11	Handle socket	22	